

"X" MIN	"X" MAX
31 1/2"	52"

"A"	
FRONT	BACK
1 11/16"	2"

FACADE MOUNT FRAME KIT CAN BE ORDERED AS PART NUMBER KSK0018 OR A VARIABLE PITCH FRAME CAN BE MODIFIED (C0599) FOR THIS TYPE OF MOUNT. NOTE THE CLIP POSITION ON PAGE 2 FOR MODIFYING C0599.

UNLESS OTHERWISE SPECIFIED:  
 DIMENSIONS ARE IN INCHES  
 TOLERANCES:  
 FRACTIONAL ± 1/8  
 ANGULAR: MACH ± 1/8  
 TWO PLACE DECIMAL ± 0.01  
 THREE PLACE DECIMAL ± 0.001

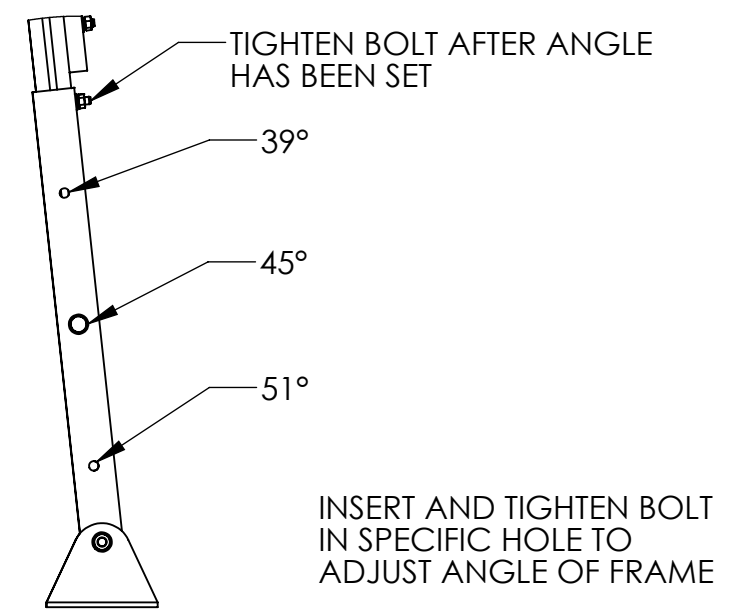
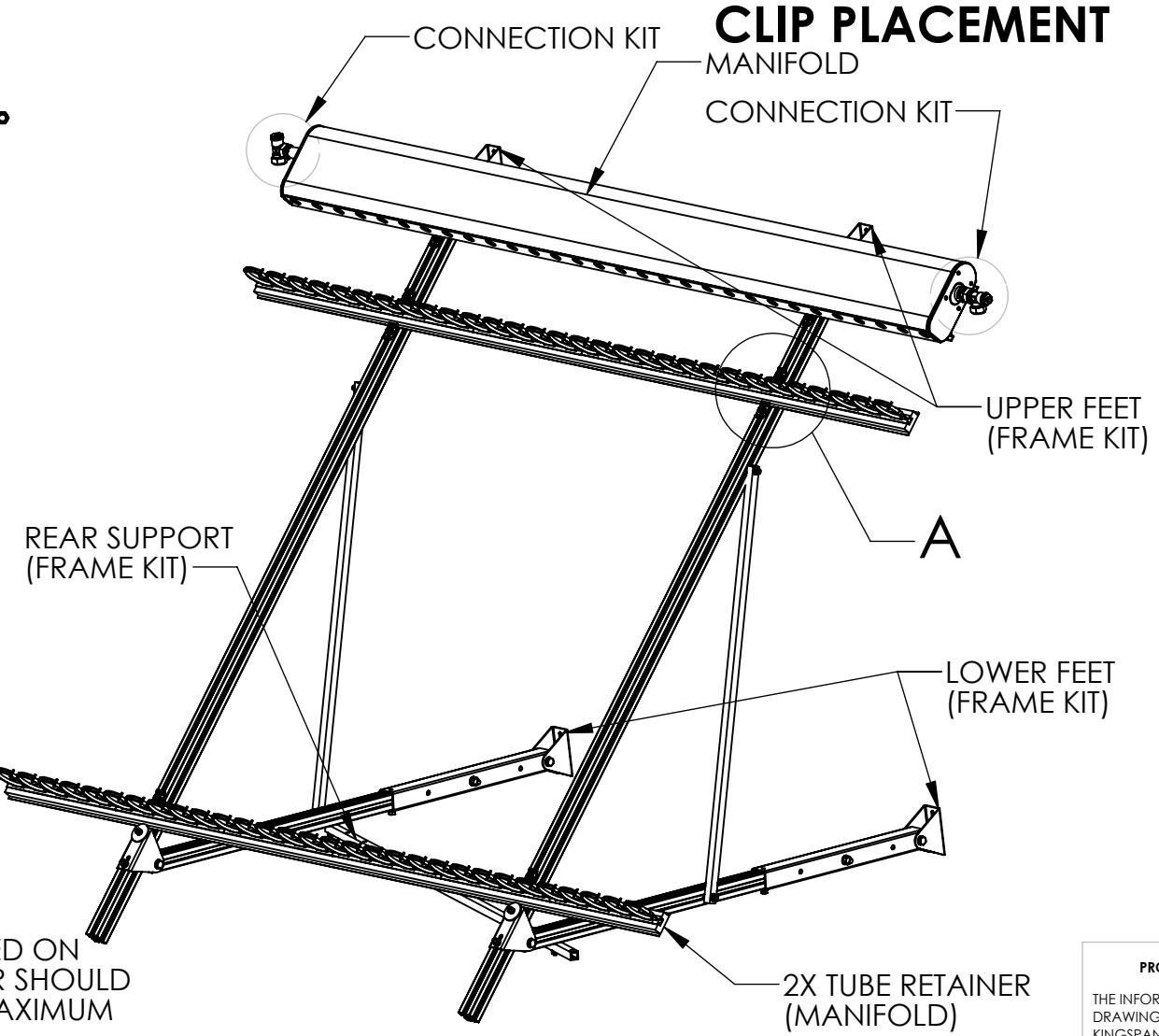
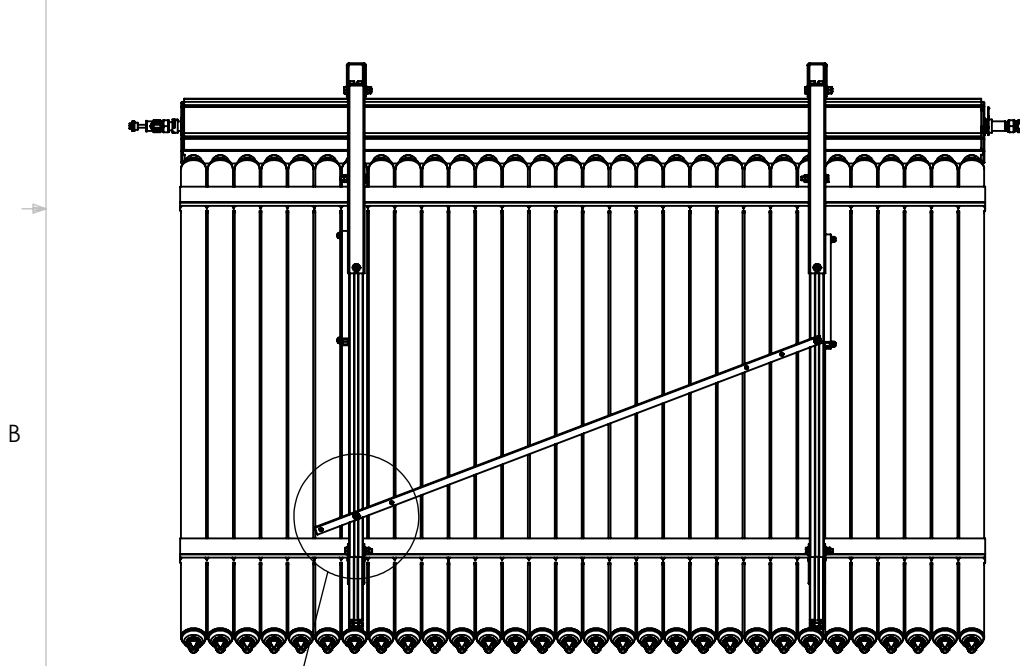
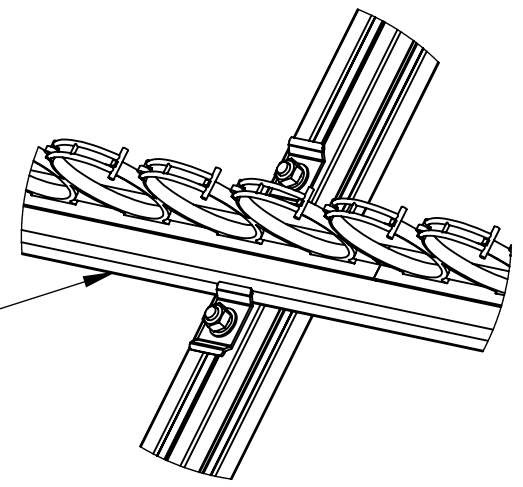
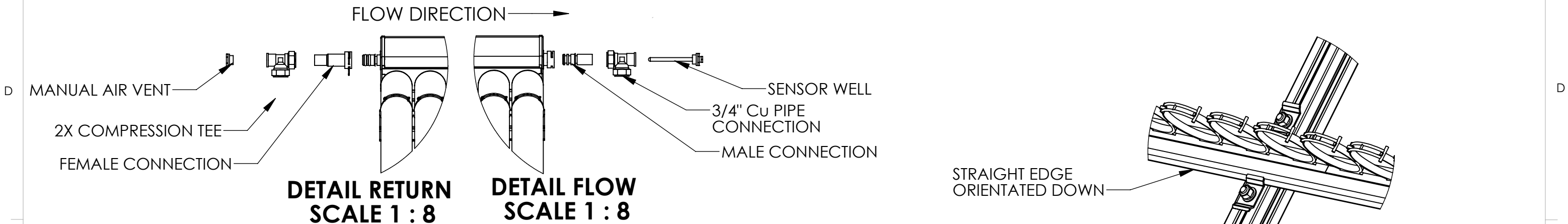
**PROPRIETARY AND CONFIDENTIAL**  
 THE INFORMATION CONTAINED IN THIS DRAWING IS THE SOLE PROPERTY OF KINGSPAN SOLAR INC. ANY REPRODUCTION IN PART OR AS A WHOLE WITHOUT THE WRITTEN PERMISSION OF KINGSPAN SOLAR INC IS PROHIBITED.

NAME	DATE	ECN NO.
DRAWN BJC	09/02/10	1464
CHECKED JM	09/05/10	
ENG APPR. PD	10/26/10	

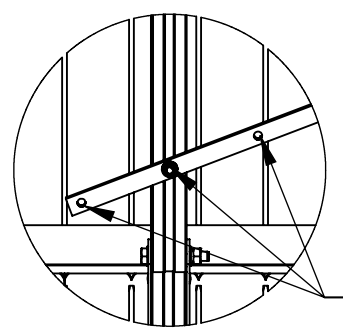


SIZE <b>B</b>	DWG. NO. <b>A9361A</b>	REV <b>A</b>
---------------	------------------------	--------------

DO NOT SCALE DRAWING



**ANGLE ADJUSTMENT**



SELECT HOLES BASED ON LEG SPACING. BAR SHOULD BE ANGLED FOR MAXIMUM STRENGTH.

**DETAIL B  
SCALE 1 : 8**



**PROPRIETARY AND CONFIDENTIAL**  
THE INFORMATION CONTAINED IN THIS DRAWING IS THE SOLE PROPERTY OF KINGSPAN SOLAR INC. ANY REPRODUCTION IN PART OR AS A WHOLE WITHOUT THE WRITTEN PERMISSION OF KINGSPAN SOLAR INC IS PROHIBITED.

TITLE: <b>CS-40 FACADE FRAME</b>		
SIZE <b>B</b>	DWG. NO. <b>A9361A</b>	REV <b>A</b>
SCALE: 1:16		SHEET 2 OF 2