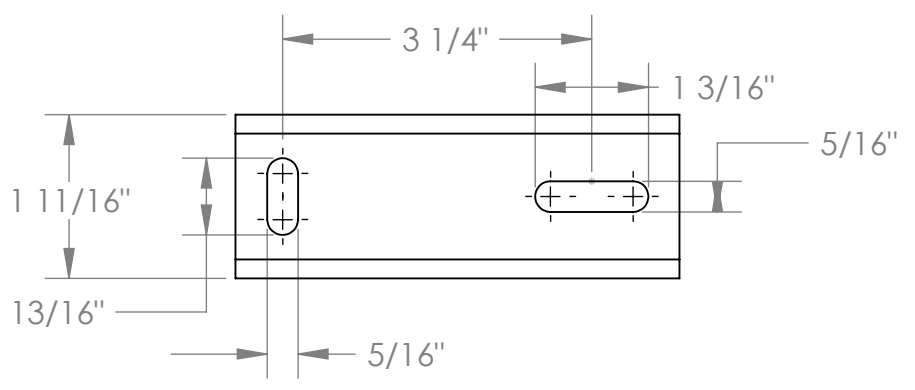
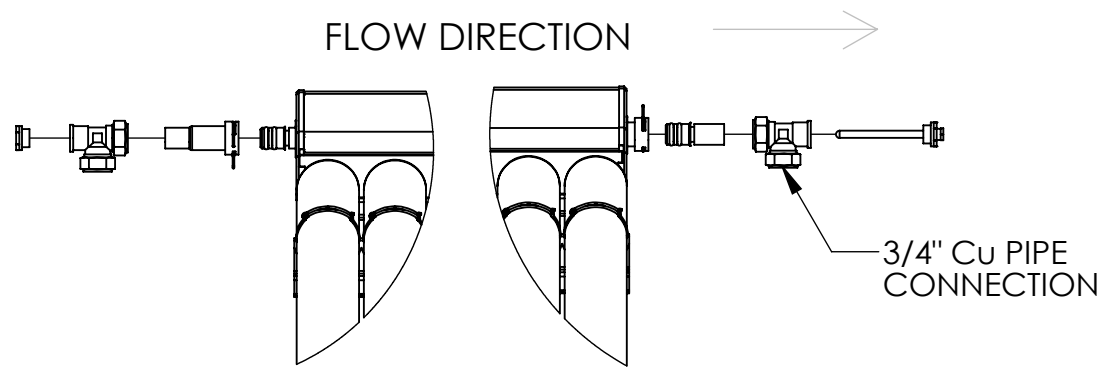
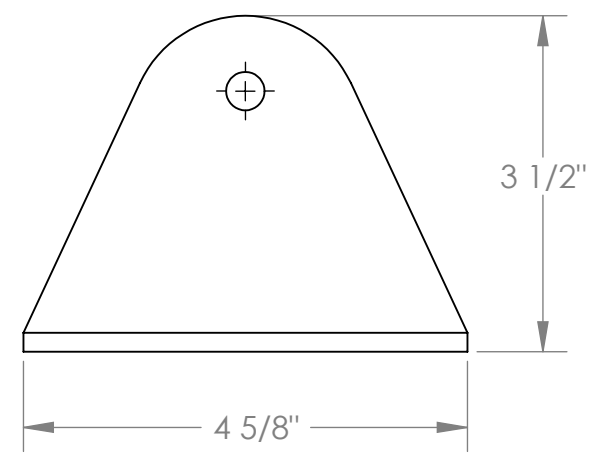


"X" MIN	"X" MAX
44"	52"

Roof Slope (x/12)	Collector Angle
0	30
1	34.8
2	39.5
3	44.0
4	48.4
5	52.6
6	56.6
7	60.3
8	63.7
9	66.9
10	69.8
11	72.5
12	75.0
16	83.1
20	89.0



REFER TO HP-250 INSTALLATION MANUAL FOR ASSEMBLY INSTRUCTIONS

UNLESS OTHERWISE SPECIFIED:		NAME	DATE	ECN NO.
DIMENSIONS ARE IN INCHES		DRAWN	BJC	08/17/10
TOLERANCES:		CHECKED	JM	09/02/10
FRACTIONAL ± 1/8		ENG APPR.	PD	10/28/10
ANGULAR: MACH ± 1/8				
TWO PLACE DECIMAL ± 0.01				
THREE PLACE DECIMAL ± 0.001				

PROPRIETARY AND CONFIDENTIAL
 THE INFORMATION CONTAINED IN THIS DRAWING IS THE SOLE PROPERTY OF KINGSPAN SOLAR INC. ANY REPRODUCTION IN PART OR AS A WHOLE WITHOUT THE WRITTEN PERMISSION OF KINGSPAN SOLAR INC IS PROHIBITED.



HP-250 30° FRAME

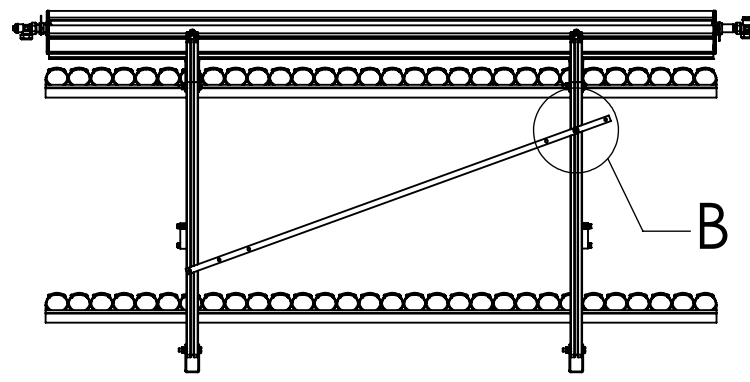
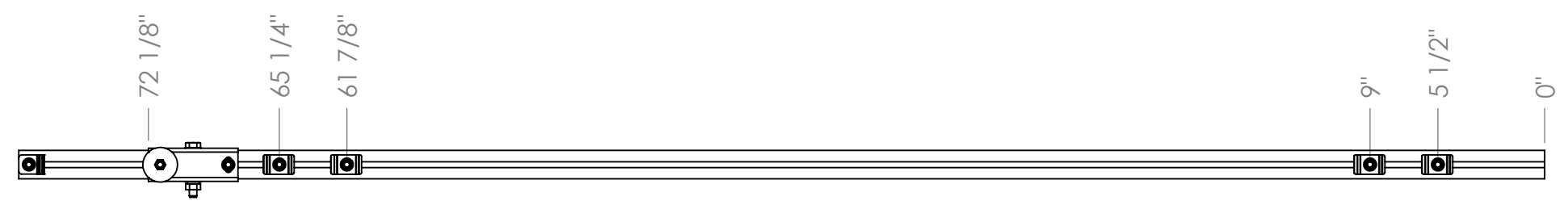
SIZE	DWG. NO.	REV
B	HP-30-30	A

DO NOT SCALE DRAWING

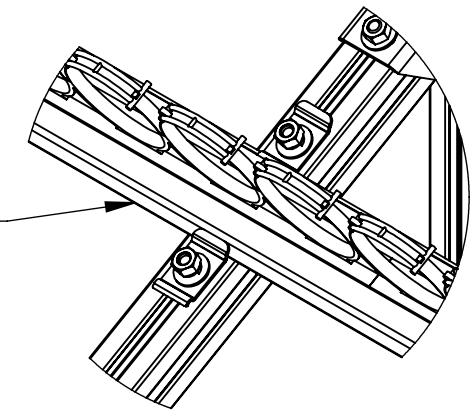
8 7 6 5 4 3 2 1

D
C
B
A

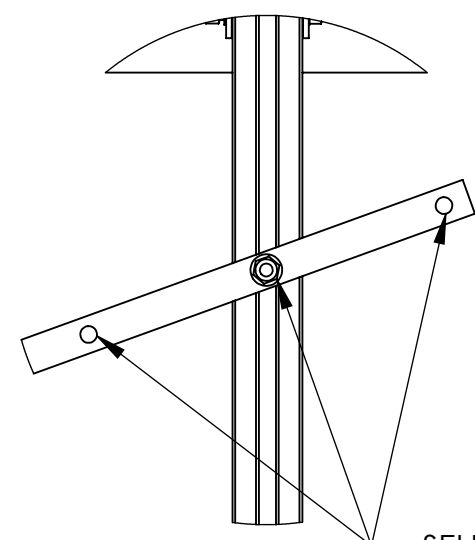
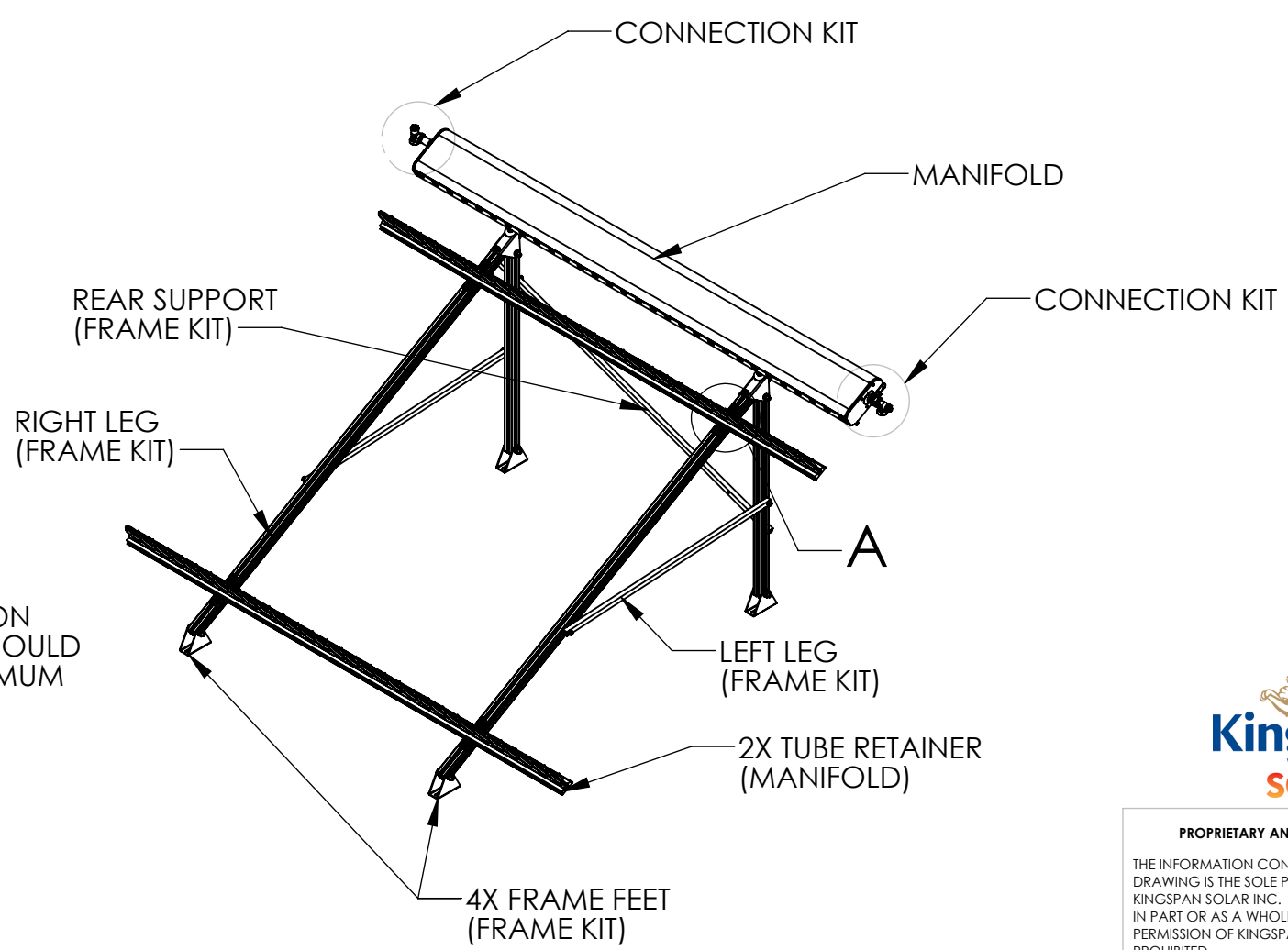
D
C
B
A



FLAT SIDE OF TUBE RETAINER ORIENTATED DOWN



**DETAIL A
SCALE 1 : 4**



**DETAIL B
SCALE 1 : 4**

SELECT HOLES BASED ON LEG SPACING. BAR SHOULD BE ANGLED FOR MAXIMUM STRENGTH.



PROPRIETARY AND CONFIDENTIAL
THE INFORMATION CONTAINED IN THIS DRAWING IS THE SOLE PROPERTY OF KINGSPAN SOLAR INC. ANY REPRODUCTION IN PART OR AS A WHOLE WITHOUT THE WRITTEN PERMISSION OF KINGSPAN SOLAR INC IS PROHIBITED.

TITLE: 30 TUBE MANIFOLD W/ 30° FRAME		
SIZE B	DWG. NO. HP-30-30	REV A
SCALE: 1:24		SHEET 2 OF 2

8 7 6 5 4 3 2 1